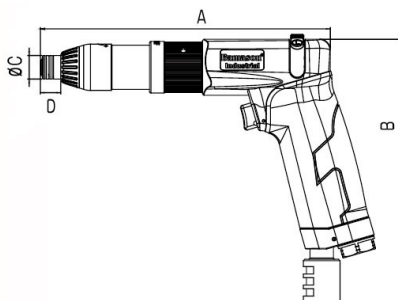


Cacciaviti pneumatici - impugnatura a pistola



Fig. 1



Bamason

BMCS-D Series

TXBMCS-DXX

Modello: **BMCS-DXX**
Codice articolo: **TXBMCS-DXX**

DIMENSIONI vedere fig. 1:

Modello	A	B	C	D
	mm	mm	mm	mm
TXBMCS-D08	218	162.3	Ø16	16
TXBMCS-D10	211	162.3	Ø16	16
TXBMCS-D20	197.5	180	Ø16	15
TXBMCS-D30	228	180	Ø16	15
TXBMCS-D40	234	186	Ø16	15
TXBMCS-D50	234	186	Ø16	15

Modello	Attacco	Utilizzo consigliato	Range di coppia	Velocità	Peso	Ingresso aria	Rumore	Consumo aria
	inch	mm	Nm	rpm	Kg	IN	dB(A)	l/s
TXBMCS-D08-1500	1/4" Hex	M2	0.4-0.7	1,500	0.70	1/4"	72	3.5
TXBMCS-D08-1100	1/4" Hex	M2	0.4-1	1,100	0.70	1/4"	72	3.5
TXBMCS-D10-1600	1/4" Hex	M2-M3	0.7-1.3	1,600	0.90	1/4"	75	5.5
TXBMCS-D10-900	1/4" Hex	M3	0.7-2	900	0.90	1/4"	75	5.5
TXBMCS-D20-3500	1/4" Hex	M3	0.7-2.3	3,500	1.07	1/4"	75	13
TXBMCS-D20-3000	1/4" Hex	M3-M4	0.8-3	3,000	1.07	1/4"	75	13
TXBMCS-D20-2000	1/4" Hex	M3-M4	0.8-4.5	2,000	1.07	1/4"	75	13
TXBMCS-D20-1100	1/4" Hex	M3-M5	1.2-6	1,100	1.07	1/4"	75	13
TXBMCS-D30-700	1/4" Hex	M4-M5	4-9	700	1.22	1/4"	75	13
TXBMCS-D30-500	1/4" Hex	M4-M6	4-11	500	1.22	1/4"	75	13
TXBMCS-D40-550	1/4" Hex	M5-M6	7-14	550	1.50	1/4"	80	17
TXBMCS-D50-380	1/4" Hex	M6-M8	9-18	380	1.50	1/4"	80	17